

Outdoor Power Cabinet with Battery Shelf -54.0VDC/37.0A Output

PRODUCT FEATURES:

- RRU independent power (Up to 3 RRUs)
- Compact design
- The box is optimized for Micropack with its natural convection cooling
- Easy installation with LFP battery (20AH)
- Communication: TCP/IP or dry contact
- I/O Ports: AC input x 1, DC output x 3, Battery x 1, Alarm x 1

INPUT SPECIFICATIONS:

VOLTAGE	103W 220
VOLTAGE RANGE	176Vac – 264Vac
FREQUENCY	54Hz – 63Hz
POWER FACTOR	≥ 98%
EFFICIENCY	≥ 96%

OUTPUT SPECIFICATIONS:

OUTPUT VOLTAGE	54Vdc
OUTPUT VOLTAGE RANGE	43Vdc – 57Vdc
OUTPUT CURRENT	37A Max
LINE REGULATION	±1%

PROTECTION SPECIFICATIONS:

OUTPUT OVER VOLTAGE	≥ -57.5V (Alarm sent)
OUTPUT CURRENT LIMIT	101 ~ 130%
SHORT CIRCUIT PROTECTION	Auto Recovery
BATTERY LOW VOLTAGE	≤ -46.0 (Alarm sent)



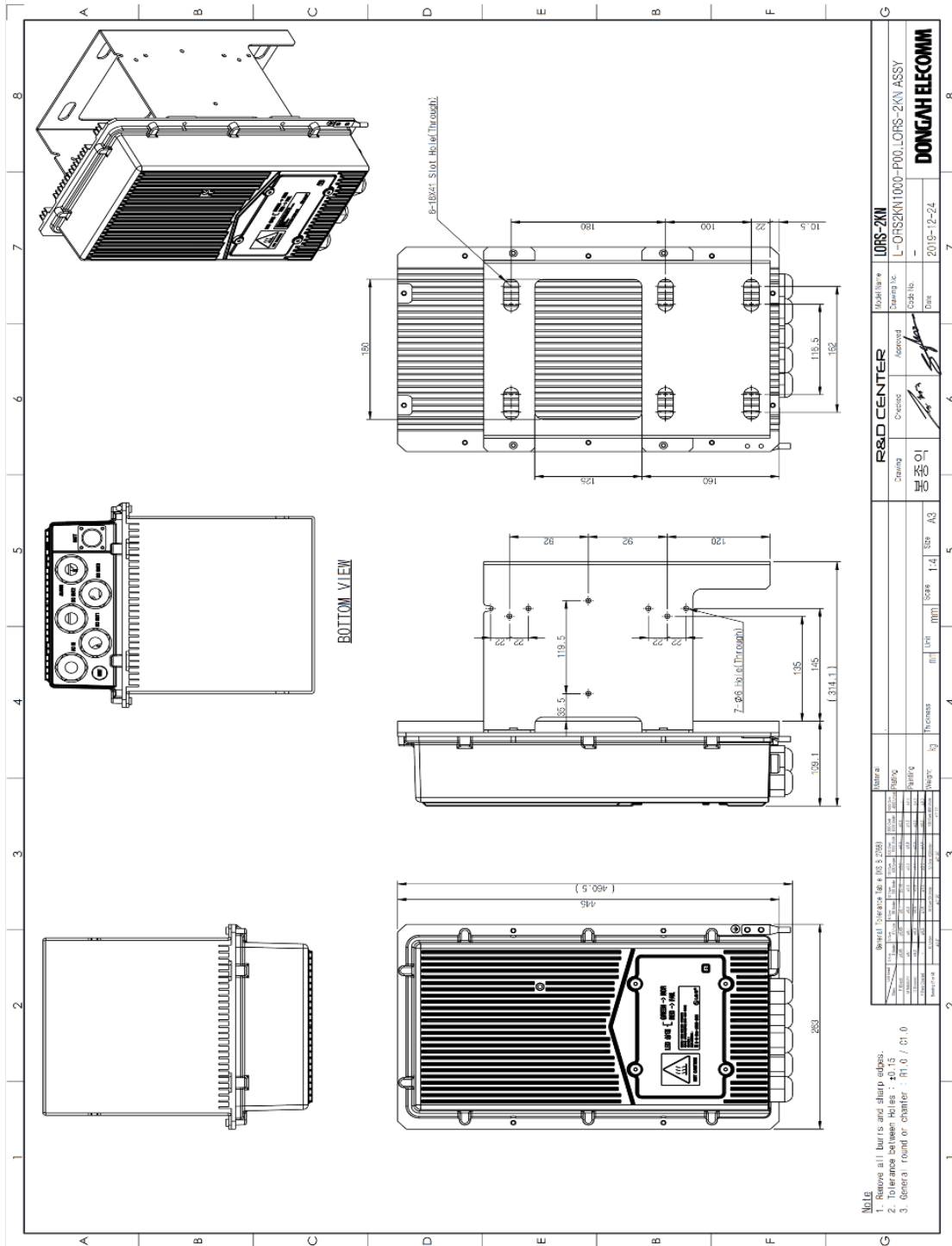
GENERAL SPECIFICATIONS:

OPERATING TEMPERATURE	-30°C to +50°C
OPERATING HUMIDITY	5 ~ 90%
STORAGE TEMPERATURE	Max 50 °C
STORAGE HUMIDITY	5 ~ 95%

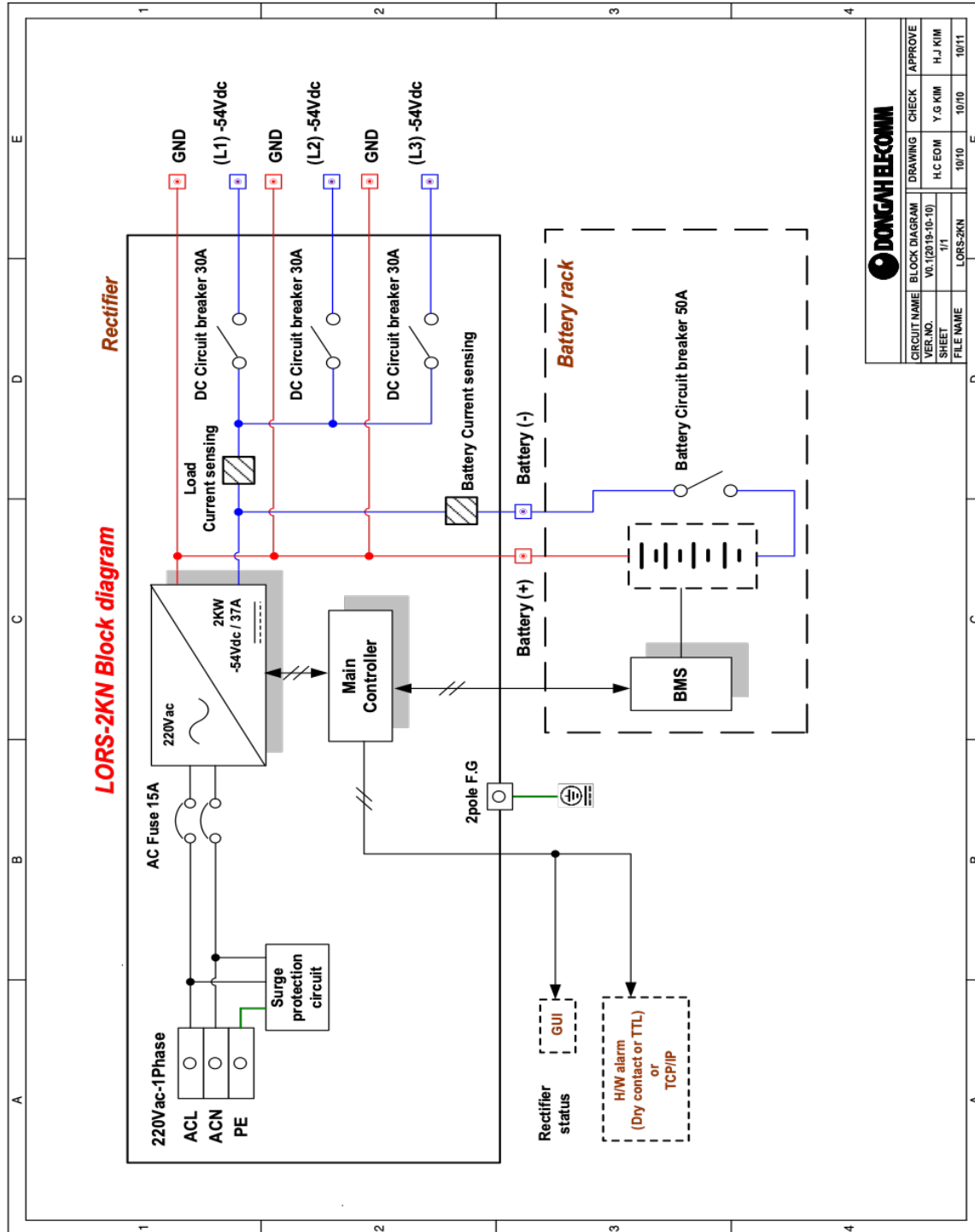
CONNECTIONS:

COMMUNICATION	TCP/IP or Output Alarm (6 ports) - System
COMMUNICATION	CAN - Battery
DEBUG	RS232 - Micro USB (C Type)

MECHANICAL OUTLINE DRAWING:

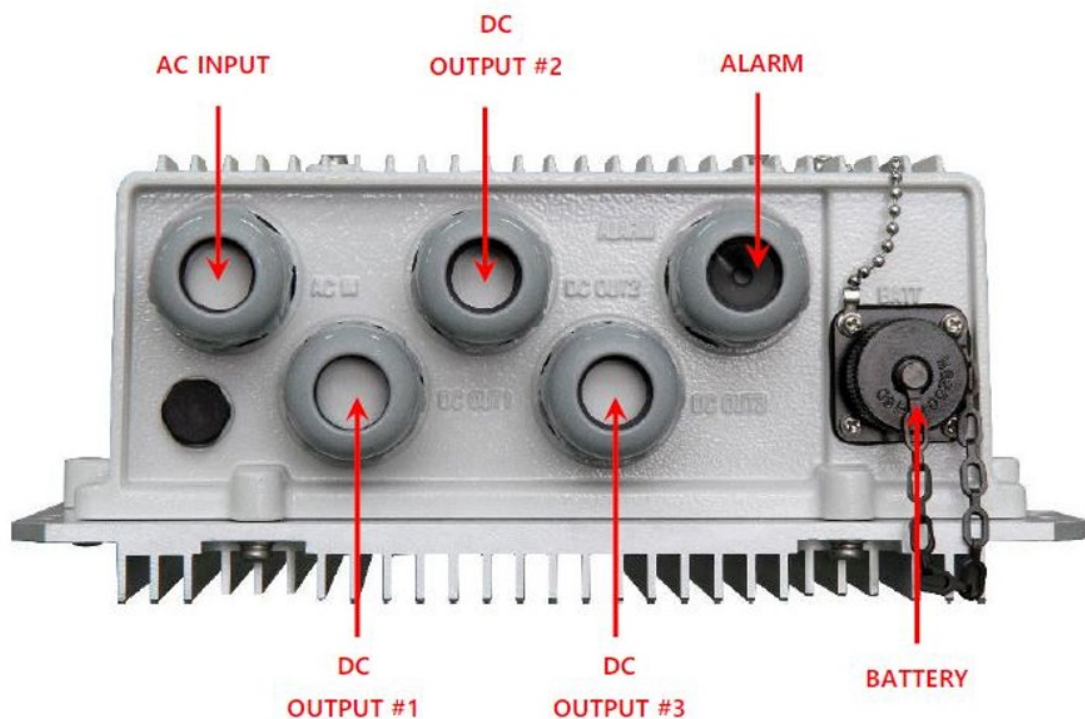


BLOCK DIAGRAM:



SYSTEM CONFIGURATION:

CONNECTOR



GROUNDING WIRE

There is a cable connection terminal of GND, screw size is M6.

