

## DORS-430K

### Product Features:

- Wall or Pole Mount Type
- power applications and easy maintenance
- IP55 Grade
- Battery Charger and Monitor
- Full Featured Status and Output Alarms
- Convection Cooling Type (No fan)
- Battery (12V/18AH x 4EA)

### Input Specifications:

VOLTAGE	1Ø220VAC (±20%)
FREQUENCY	57~63Hz
INRUSHCURRENT	50A @ 220AVC (Max Cold Start)
PROTECTION	Double pole 15A Fuse / 250VAC
LEAKAGE	3.0mA Max @ 220VAC
EFFICIENCY	≥90% Typical
HARMONICS	EN 61000-3-2 Class D Compliant (≥98PF)
PROTECTION	Input Under voltage, Overvoltage

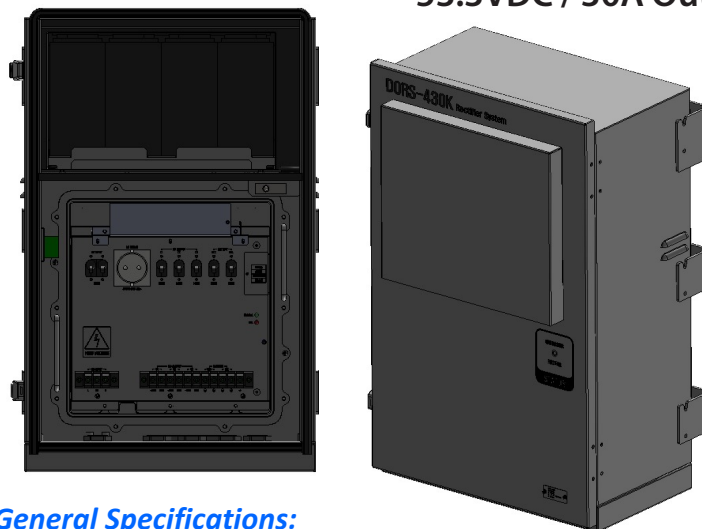
### Output Specifications:

Vout	-53.3VDC
Iout	30Amax
ADJUSTMENT RANGE	-42VDC~-58VDC
LINE REGULATION	±1.0% Max over entire input range
LOAD REGULATION	±1.0% Maximum
TEMP REGULATION	±1.0% Maximum
RIPPLE	≤ 250mVp-p(10Hz~14MHz)
SETPOINT ACCURACY	±0.5%
OVER CURRENT	105~130%
OVER VOLTAGE	-57.5VDC(recycle input to reset)
PROTECTION	Battery Temp. Compensation Short, Over Voltage

### Status & Control signals:

COMMUNICATION	GUI, INPUT (DRY CONTACT)
INTERFACE	ALARM

## Outdoor Power Cabinet with Battery Shelf -53.3VDC / 30A Output



### General Specifications:

OPERATING TEMP	-30°C to +50°C
STORAGE TEMP	-40°C to +75°C
OPERATING HUMIDITY	5% to 90% (Non-Condensing)
STORAGE HUMIDITY	5% to 95% (Non-Condensing)
COOLING	Convection cooling
VIBRATION	10-55Hz, 2G, 3min period/60 min each(3 axes)
RELIABILITY	100,000 Hrs MTBF
ALTITUDE	0~2,000 Meter
SIZE(W×D×H)	400 × 245 × 645mm(Power Cabinet)
WEIGHT	43.0Kg (Weight including Battery(22Kg))

### Electromagnetic Compatibility:

EMISSIONS	EN55022 Level A (Conducted)
ELECTROSTATIC DISCHARGE	EN61000-4-2, 4KV Contact / 8KV Air
RADIATED SUSCEPTIBILITY	EN61000-4-3, 26-1000MHz, 10V/M, 80%AM
EFT/BURSTS	EN61000-4-4, 2KV
SURGE	EN61000-4-5
CONDUCTED IMMUNITY	EN61000-4-6, 0.15-800MHz, 10V 80%
VOLTAGE DIPS	EN61000-4-10, 95% Dip&10ms, 30% Dip&500ms
VOLTAGE INTERRUPTIONS	EN61000-4-11, 95% reduction, 5ms

### Standards & Approvals: TBD

UL/CUL	60950-1
--------	---------



## DORS-430K

-54V/30A Power Module



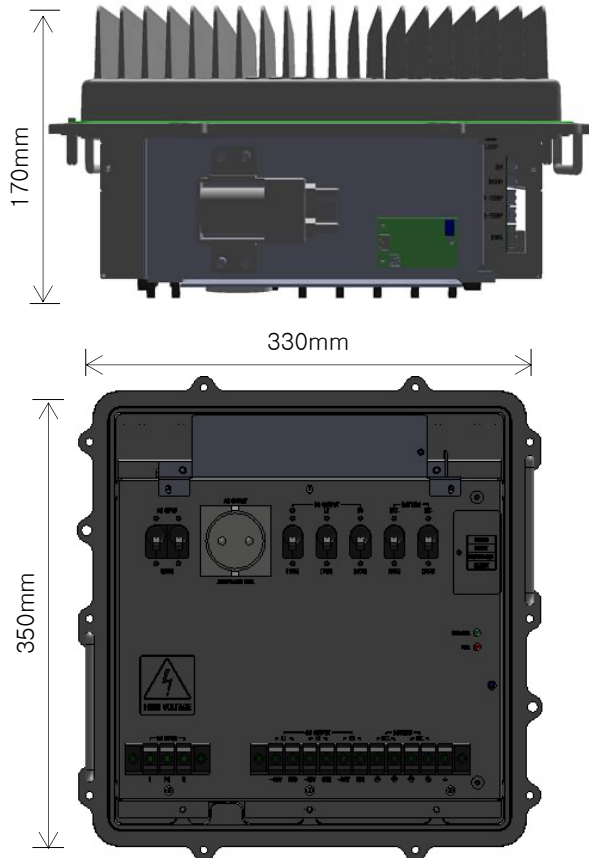
### INPUT

- Voltage..... 1Ø220VAC
- Frequency ..... 50/60Hz
- Power Factor .....  $\geq$  Typically 98%
- Efficiency .....  $\geq$  Typically 90%

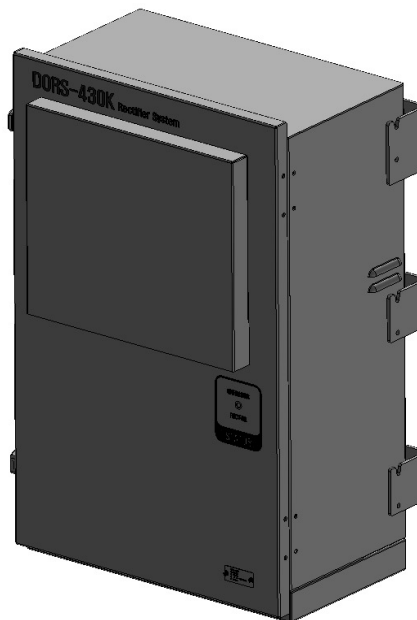
### OUTPUT

- Voltage..... Default -53.3VDC
- Current..... MAX30A
- Load/Line regulation .....  $\leq \pm 1\%$

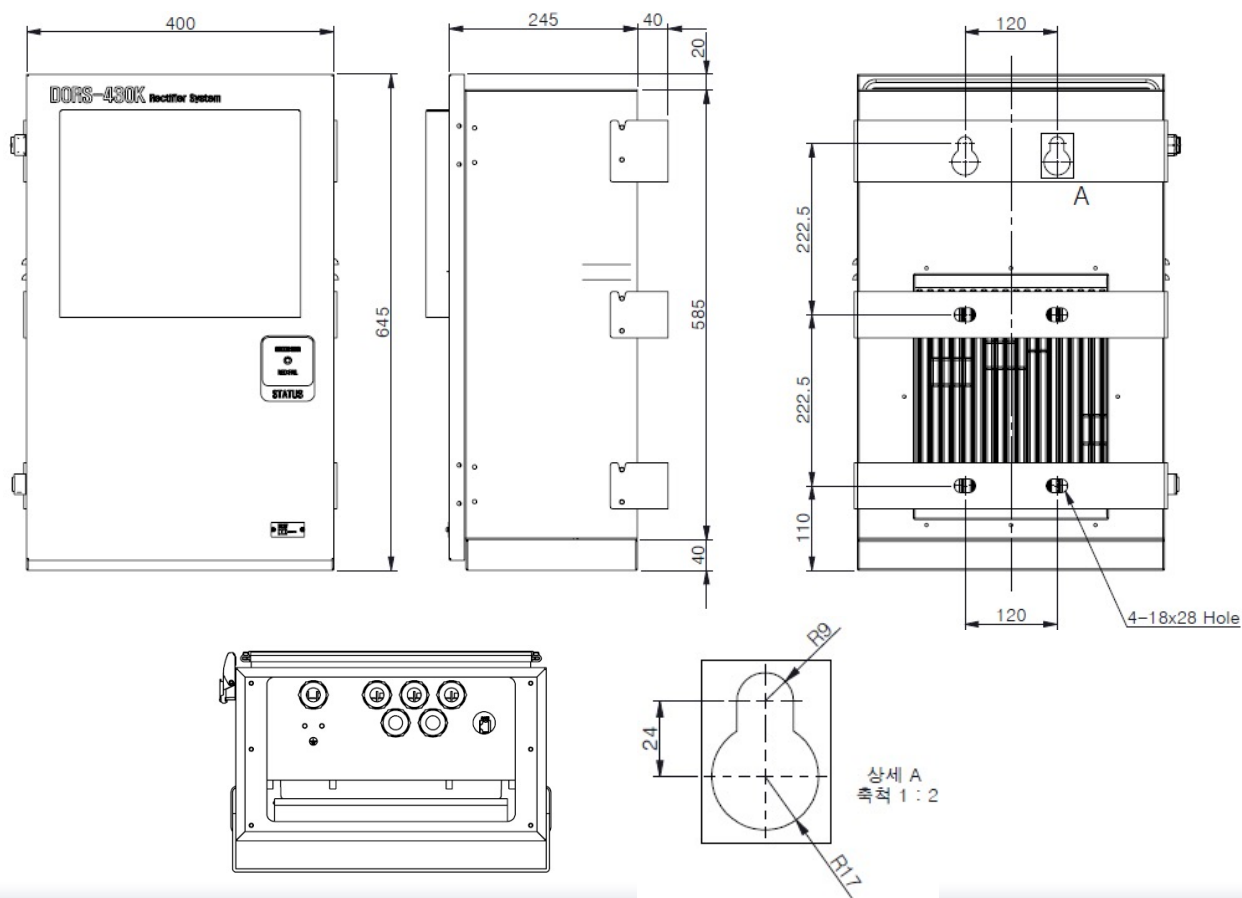
### DIMENSIONS



## DORS-430K Rectifier Rack



### DIMENSIONS



## BLOCK DIAGRAM

