



REV: 08032011

ITE / EMBEDDED POWER SUPPLY

PRODUCT FEATURES:

- **Universal AC Input**
- **15 Watts; Convection Cooled Operation**
- **Low-Cost Open-Frame Design**
- **Compact Size: 4.33" x 1.57" Footprint**
- **Low Profile: 0.92" Height for 1U Applications**
- **79% Efficiency (5Vout, Typical)**
- **Meets FCC & EN Conducted EMI, Class B**
- **International Safety Approvals**



INPUT SPECIFICATIONS:

VOLTAGE	Universal AC Input (90 ~ 264VAC)
FREQUENCY	47~63 Hz
INRUSH	30A@115VAC; 60A@230VAC (Cold Start)
CURRENT	0.18A@115VAC; 0.8A@230VAC, Continuous
PROTECTION	Single 3.15A Fuse / 250V Rated
LEAKAGE	≤250uA @ 264VAC
HOLD-UP	16ms minimum (115VAC, Full Load)
EFFICIENCY	>79% @230VAC (Full Load, 5Vout Typical)

OUTPUT SPECIFICATIONS:

ADJUSTMENT RANGE	Factory Adjusted (See Table, Page 2)
MINIMUM LOAD	None
LINE REGULATION	±0.5% max, across full input range
LOAD REGULATION	±0.5% max, across full input range
RIPPLE	±2.0% p-p, max (20MHz BW)
SETPOINT ACCURACY	±0.5%
EXCURSION	±5% max, 25% Step Load
RECOVERY	100ms max
OVER-CURRENT	115~135% (Auto-Recovery)
OV PROTECTION	105~115% (Recycle input to reset)

SAFETY STANDARDS:

cULus	60950-1
CE MARK	Low Voltage Directive
CB	IEC 60950-1, EN 60950-1
cULus	For PSU-15H-12 only: UL 1310 (Class 2); UL 1018

GENERAL SPECIFICATIONS:

OPERATING TEMPERATURE	-20°C to +70°C (derate 2.5%/°C above 50°C)
STORAGE TEMPERATURE	-40°C to +85°C
OPERATING HUMIDITY	10% ~ 95% (non-condensing)
STORAGE HUMIDITY	5% ~ 95% (non-condensing)
COOLING	Convection Cooled
VIBRATION	10-55Hz, 2G, 3Min Period, 60 min each (3 axes)
SHOCK	20G Peak Acceleration
RELIABILITY	>1,000,000 Hours (per MIL STD 217F)
SIZE (INCHES)	4.33" x 1.57" x 0.92"

EMISSIONS:

EMISSIONS	EN55022 Level B (Conducted)
ELECTROSTATIC DISCHARGE	EN61000-4-2, 4KV Contact / 8KV Air
RADIATED SUSCEPTIBILITY	EN61000-4-3, 26MHz-2000MHz, 10V/m, 80%AM
EFT / BURSTS	EN61000-4-4, 2KV
SURGES	EN61000-4-5, 2KV Earth, 1KV Line-Line
CONDUCTED IMMUNITY	EN61000-4-6, 150KHz-80MHz, 10Vrms, 80%AM
VOLTAGE DIPS	EN61000-4-10, 95% Dip, 10ms / 30% Dip, 500ms
VOLTAGE INTERRUPTIONS	EN61000-4-11, 95% reduction, 5ms
FLUCTUATIONS & FLICKER	EN61000-3-3

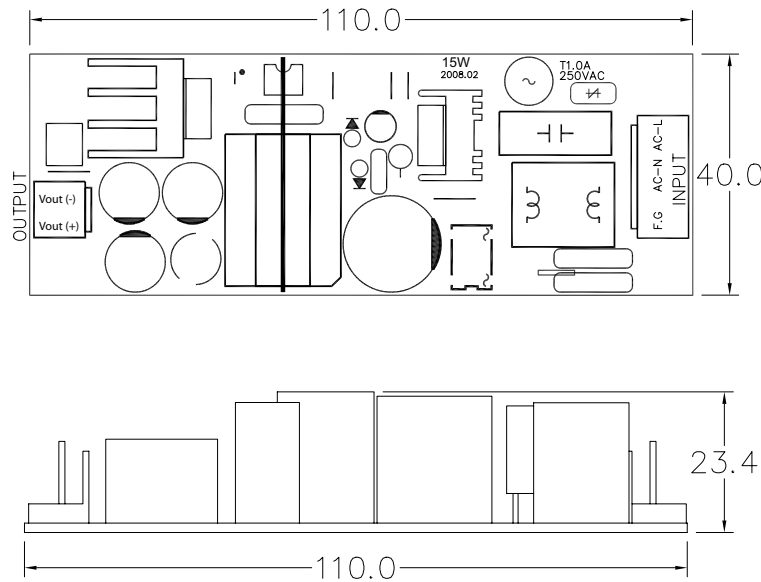


OUTPUT MODELS:

Output Models:	Output #1			Output #2			Output #3		
	VDC	Io (Min)	Io (Max)	VDC	Io (Min)	Io (Max)	VDC	Io (Min)	Io (Max)
PSU-15W-3V3	3.3V	0	3.0A						
PSU-15W-5V	5V	0	3.0A						
PSU-15W-12V	12V	0	1.25A						
PSU-15H-12*	12V	0	1.25A						
PSU-15W-15V	15V	0	1.00A						
PSU-15W-24V	24V	0	0.63A						

*1) PSU-15H-12 is Safety Certified to UL 1310 (conforms to standards as a Class 2 Power Unit) and UL 1018.

OUTLINE DRAWING:



AC INPUT CONNECTOR:
(Molex or Equiv.):
Molex 09-65-2058
Mate: 09-50-7051 with
Crimp Pin: 08-52-0072

DC OUTPUT CONNECTOR:
Molex 09-65-2028
Mate: 09-50-7021 with
Crimp Pin: 08-52-0072

Pin	Function
1	Vout (+)
2	Vout (-)