



REV: 021517

PRODUCT FEATURES:

- **Rectifier Module: 24Vdc @ 115A (2760W)**
- **Full Featured Status & Control Signals**
 - AC OK & DC OK; Fan Fail alarm
 - RS485 Serial Interface
 - DSP Control Circuitry
 - Current Shares w/other NDRM-2115Y modules
- **Interfaces with IRPC Control Module in NDRM Shelf**
- **Front Panel LED Indicators (On, Standby, Fail)**
- **Meets Conducted and Radiated EMI, Class A**
- **International Safety Approvals including US, Canada, CENELEC countries, EN, and Korea**



INPUT SPECIFICATIONS:

VOLTAGE	Universal AC (90V ~ 264VAC)
FREQUENCY	47~63 Hz
INRUSH	30A @ 220VAC (typical, Full Load)
CURRENT	17.5Amax, Continuous (220 VAC)
PROTECTION	Fuses in both AC-L & AC-N (20A each)
LEAKAGE	3.5mA Max @ 220 VAC
HOLD-UP	16ms minimum (115VAC, Full Load)
EFFICIENCY	92.5% (typical, 30~60% load)
POWER FACTOR	0.98 @ ≥50% Load

OUTPUT SPECIFICATIONS:

OUTPUT VOLTAGE	24VDC
OUTPUT CURRENT	115A maximum
ADJUSTMENT RANGE	22.0~27.0 Vdc
LINE REGULATION	±0.5% max, across full input range
LOAD REGULATION	±2% max, across full load range
TEMP REGULATION	±2% max
OVERALL REGULATION	±5% max
RIPPLE (p-p; maximum)	≤300mV p-p; (20MHz BW)
SETPPOINT ACCURACY	±0.5%
OVER-CURRENT	125A max then Foldback with Auto-Recovery
OV PROTECTION	27.5Vdc (Recycle Acin to reset); Power Derated, Thermal Shutdown

SAFETY STANDARDS:

cULus	UL 60950-1 and CAN/CSA C22.2 No. 60950-1-07
CE MARK	Complies to Low Voltage Directive 2014/35/EU
CB REPORT	Report# 50070020 001 dated 1/23/2017 IEC 60950-1: 2005 (2nd Ed.) + A1 + A2, and EN 60950-1: A11/A1/A12/A2 with National Differences for CENELEC, EN, Korea

FEATURES:

DEBUG/Configuration	Requires IRPC Control Module in NDRM Shelf with IRPS DEBUG GUI
---------------------	--

GENERAL SPECIFICATIONS:

OPERATING TEMPERATURE	-40 to +75°C (derate 2.0%/°C above 50°C)
STORAGE TEMPERATURE	-40°C to +85°C
OPERATING HUMIDITY	0% ~ 95% (non-condensing)
STORAGE HUMIDITY	5% ~ 95% (non-condensing)
COOLING	Internal Fan (pulls air front-to-back)
VIBRATION	10-55Hz, 2G, 3Min Period, 60 min each (3 axes)
SHOCK	20G Peak Acceleration
RELIABILITY	>350,000 Hours MTBF (25°C Ambient)
SIZE (HxWxD)	122mm x 85mm x 405.5mm (4.8in. X 3.35in. X 15.97in.)
WITHSTAND VOLTAGE	I-O: 3KV (10mA, 1min); Input-FG: 1.5KV (10mA, 1min)
INSULATION RESISTANCE	I-O and Input-FG: 500Vdc, 100Mohm (1min)

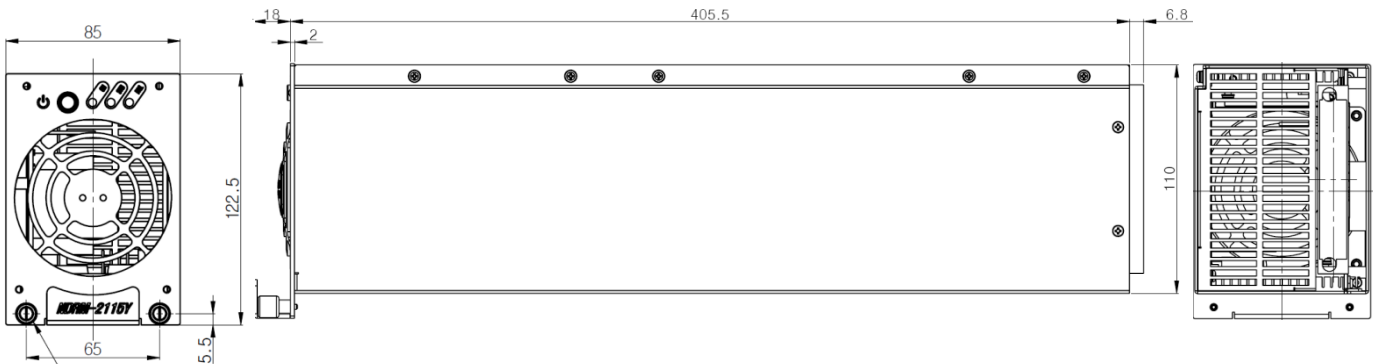
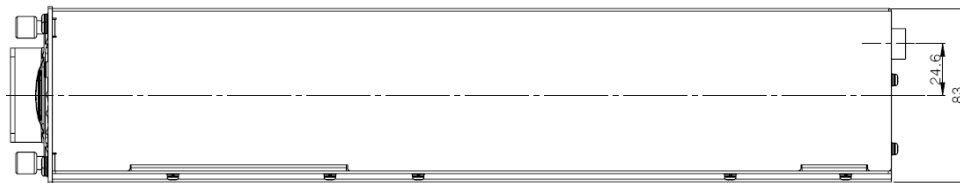
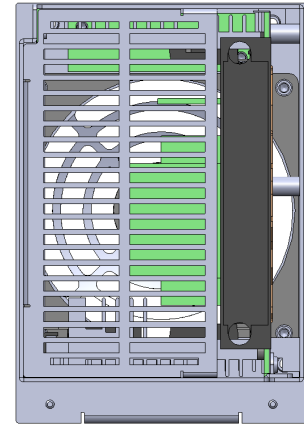
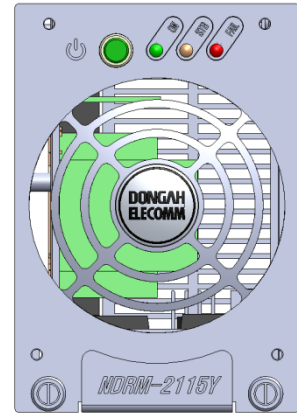
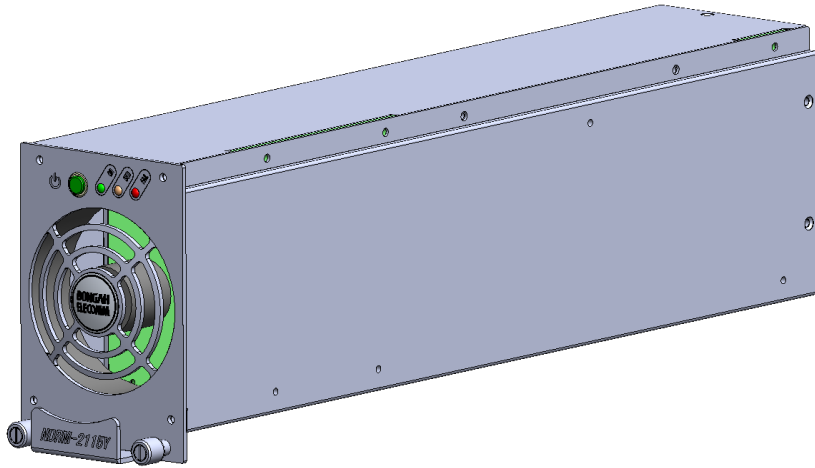
EMISSIONS:

EMISSIONS (RE and CE)	EN55022 Level A (RE and CE)
ELECTROSTATIC DISCHARGE	EN61000-4-2, 4KV Contact/ 8KV Air
RADIATED SUSCEPTIBILITY	EN61000-4-3, 26MHz-2000MHz, 10V/m, 80%AM
EFT/BURSTS	EN61000-4-4, 2KV
SURGES	EN61000-4-5, 2KV Earth, 1KV Line-Line
CONDUCTED IMMUNITY	EN61000-4-6, 150KHz-80MHz, 10Vrms, 80%AM
VOLTAGE DIPS	EN61000-4-11, 30% Dip, 10ms / 60% Dip, 100ms
VOLTAGE INTERRUPTIONS	EN61000-4-11, 100% reduction, 5ms
HARMONIC CUR. EMISSIONS	EN61000-3-2
FLUCTUATIONS & FLICKER	EN61000-3-3

NDRM-2115Y

the
POWER
you need

HOT-SWAP / REDUNDANT RECTIFIER MODULE



DONGAH ELECOMM
WWW.DONGAHUSA.COM

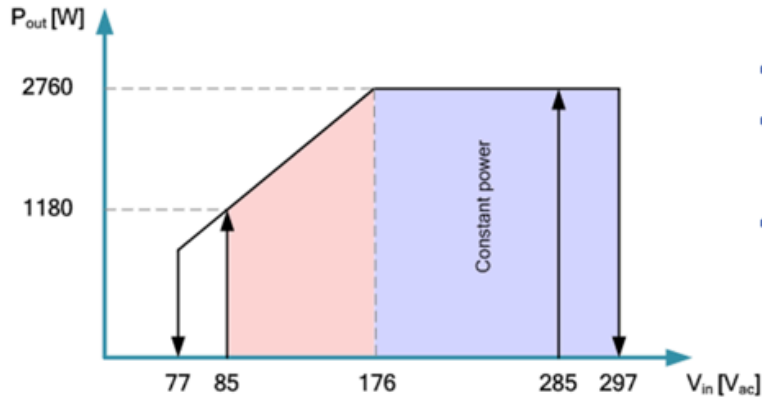
DongAh Elecomm USA
1300 E. Lookout Dr. #210
Richardson TX 75082

Phone: (972) 497-9990
Fax: (972) 497-9991
sales@dongahusa.com

DongAh Elecomm Corp.
167 Namgok-ri, Yangji-myun,
Yongin-si Kyunggi-do 449-820 Korea

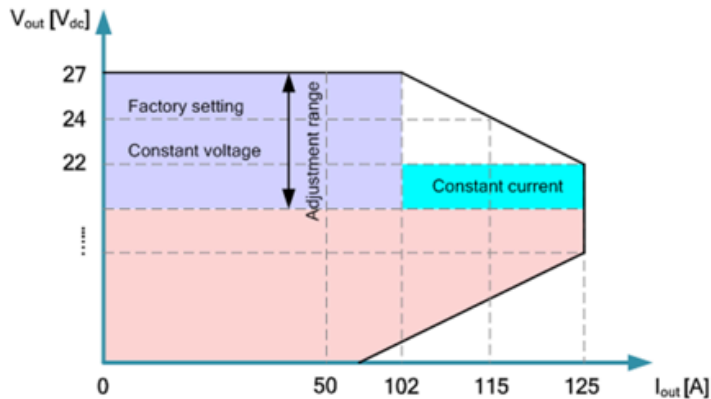
Phone: 82-31-330-5547
Fax: 82-31-330-8889
kypark@dongahelccomm.co.kr

AC Input:



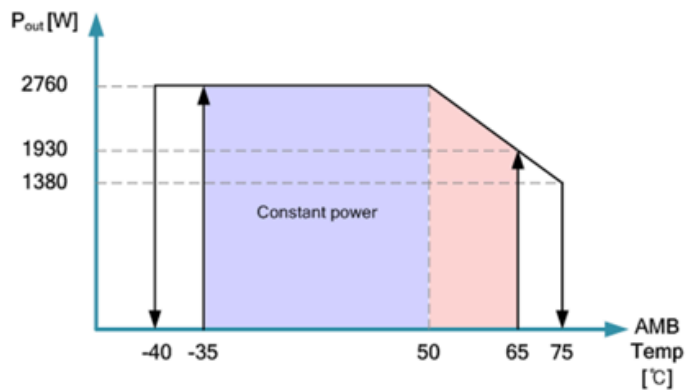
- Voltage range : 85Vac ~ 296Vac
- Constant power range (Max 2.76KW)
: 176Vac~ 296Vac
- Shut-down. Voltage
 - OVP : 297Vac (recovery 285Vac)
 - UVP : 77Vac (recovery 85Vac)

DC Output:



- Voltage range : 22.0Vdc ~ 27.0Vdc
- Constant power range (Max 2.76KW)
: 22.0Vdc ~ 27.0Vdc

Temperature:



- Operating temperature : -40°C ~ 75°C
- Constant power range (Max 2.76KW)
: -40°C ~ 50°C
- Shut-down. Temperature (Tolerance: $\pm 5^\circ\text{C}$)
 - : 75°C (recovery 65°C)
 - : -40°C (recovery -35°C)

