



## PRODUCT FEATURES:

- **UL/cUL 1310/1585 Class 2**
- **IP65-rated Enclosure for Wet Locations**
- **Universal AC Input**
- **Active PFC for EN61000-3-2 Class D Compliance**
- **Free Air Convection Cooling**
- **4 Independently Regulated Outputs (60W each)**
- **Short Circuit Protection**
- **Designed for Outdoor Use**
- **Suitable for LED Lighting and Sign Applications**



## INPUT SPECIFICATIONS:

VOLTAGE	Universal AC Input (90 ~ 264 VAC)
FREQUENCY	47-63Hz
INRUSH	50A @ 230VAC Input Range (Max Cold Start)
CURRENT	3A @ 230 VAC (Max. Continuous)
PROTECTION	Single 4A Fuse / 250 VAC
LEAKAGE	≤2mA@ 264 VAC
HOLD-UP	≥16 ms (230 VAC, Full Load)
EFFICIENCY	> 80% (typical @ 230 VAC, Full Load)
HARMONICS	EN61000-3-2 Class D Compliant (>95 PF)

## OUTPUT SPECIFICATIONS:

OUTPUT	4 NEC Class 2, 60W Channels (see table)
MINIMUM LOAD	None
LINE REGULATION	±1% Max over entire input range
LOAD REGULATION	±1% maximum
RIPPLE	±3% (BW = 20MHz)
SETPOINT ACCURACY	±1%
EXCURSION	±5% Max for 25% Step Load
RECOVERY	100ms max
OVER CURRENT	115-150% (Auto-Recovery)
OVER VOLTAGE PROTECTION	105-115% (recycle input to reset)

## GENERAL SPECIFICATIONS:

OPERATING TEMPERATURE	-20°C to +70°C (Derate 2.5% per °C above 50°C)
STORAGE TEMPERATURE	-40°C to +85°C
COOLING	Convection Cooled
HUMIDITY	5-95% (non-condensing)
VIBRATION	10-55Hz, 2G, 3Min Period, / 60 min each (3 axes)
SHOCK	20G Peak Acceleration
RELIABILITY	100K Hours (per Mil STD 217F)
SIZE (INCHES)	4.84" x 6.54" x 2.22"

## EMISSIONS:

EMISSIONS	EN55022 Level A (Conducted)
ELECTROSTATIC DISCHARGE	EN61000-4-2, 4kV Contact / 8kV Air
RADIATED SUSCEPTIBILITY	EN61000-4-3, 26-1000MHz, 10V/M, 80%AM
EFT / BURSTS	EN61000-4-4, 2kV
SURGES	EN61000-4-5, 2kV Earth, 1kV Line-Line
CONDUCTED IMMUNITY	EN61000-4-6, 0.15-800MHz, 10V 80%
VOLTAGE DIPS	EN61000-4-10, 95% Dip & 10ms, 30% Dip & 500ms
VOLTAGE INTERRUPTIONS	EN61000-4-11, 95% reduction, 5ms
FLUCTUATIONS & FLICKER	EN61000-3-3

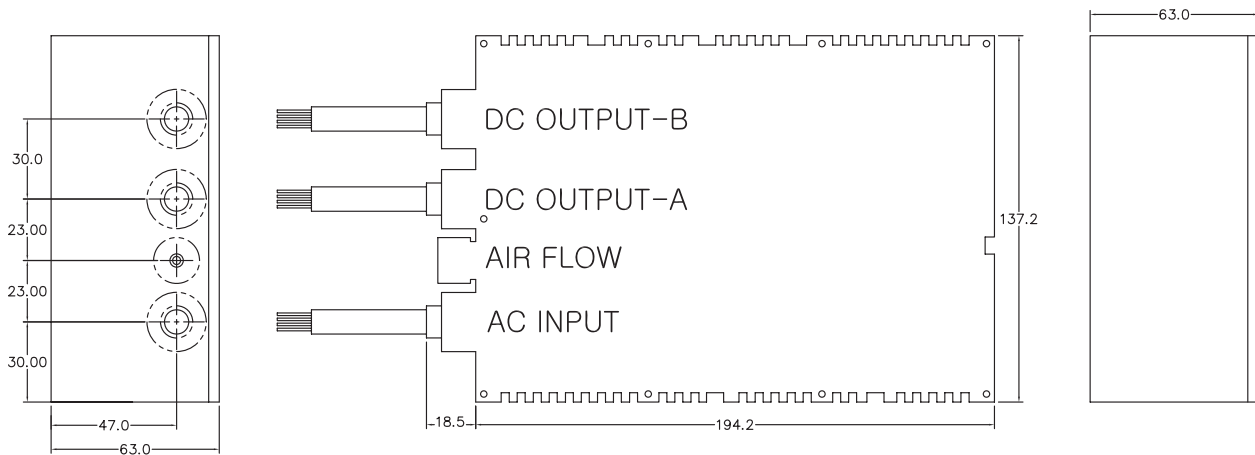
## SAFETY STANDARDS:

UL /CUL	1310/1585 and 60950-1
CE MARK	Low Voltage Directive



Output Models:	CHANNEL 1 OUTPUT			CHANNEL 2 OUTPUT			CHANNEL 3 OUTPUT			CHANNEL 4 OUTPUT		
	VDC	A(min)	A(max)	VDC	A(min)	A(max)	VDC	A(min)	A(max)	VDC	A(min)	A(max)
LED-240-12	12V	0.0A	5.0A	12V	0.0A	5.0A	12V	0.0A	5.0A	12V	0.0A	5.0A
LED-240-18	18V	0.0A	3.33A	18V	0.0A	3.33A	18V	0.0A	3.33A	18V	0.0A	3.33A
LED-240-24	24V	0.0A	2.5A	24V	0.0A	2.5A	24V	0.0A	2.5A	24V	0.0A	2.5A
LED-240-36	36V	0.0A	1.66A	36V	0.0A	1.66A	36V	0.0A	1.66A	36V	0.0A	1.66A
LED-240-48	48V	0.0A	1.25A	48V	0.0A	1.25A	48V	0.0A	1.25A	48V	0.0A	1.25A

### OUTLINE DRAWING:



## LED240W

AC INPUT [ AC-L : BLACK  
AC-N : BROWN  
F.G : GREEN

DC OUTPUT [ DC OUT-A [ (+) : BROWN  
(-) : GREEN  
DC OUT-B [ (+) : BLACK  
(-) : SKY BLUE  
(+) : BROWN  
(-) : GREEN  
(+) : BLACK  
(-) : SKY BLUE

