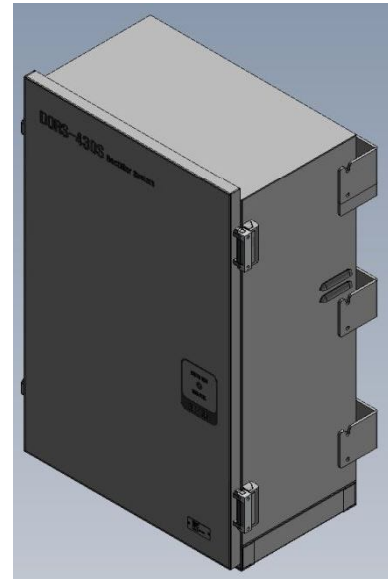


Power Supply AC/DC Converter

DORS-430S (-54.0V/30A)

HIGHLIGHTS

- Low voltage disconnect for the battery protection
- Over current, short, Surge protection
- Natural air convection cooling
- Automatic battery charging
(Floating mode with temperature compensation)



GENERAL SPECIFICATIONS

INPUT

- AC Input voltage1Ø3W 220Vac
- Frequency..... 60Hz±5%
- Efficiency..... $\geq 88\%$ (@100% Load)
- Power Factor..... $\geq 98\%$ (@100% Load)
- Leakage $\leq 3.0\text{mA}$ (@220Vac input)

OUTPUT

- Vout.....Default -54.0VDC
- Adjustment Range.....-46DC ~ -57VDC
- Iout.....Max. 30A
- Ripple & Noise $\leq 250\text{mVp-p}$

PHYSICAL DIMENSION(W × D × H ; mm)

- Dimension(W x D x H)400 × 245 × 600

FUNCTION

- Input Low & High Voltage Protection
- Output Over Voltage Protection
- Output Over Current Protection (100%~130%)
- Output Short Protection
- Battery Low Voltage Disconnect
- Battery temp. Compensation
- Surge Protection 6KV(1.2×50 μs), 3KA(8 × 20 μs)

ENVIRONMENT

- ※ Operation
 - Operation Temperature.....-30°C ~ +50 °C
 - Relative Humidity 5% ~ 90%
- ※ Non-Operation
 - Ambient Temperature-40°C ~ +75 °C
 - Relative Humidity 5% ~ 95%